



BAR & BAR ONE

Tripod turnstiles



BAR TRIPOD TURNSTILES

Our product line of waist-height tripod turnstiles is suitable for a wide variety of indoor and outdoor applications. With high quality construction and reliability, long term cost effective operation is assured. A wide range of designs enables to provide an ideal model to suit any interior and exterior. BAR tripod turnstiles represent a classic and safe way to protect your premises.

BAR turnstiles are equipped by motor driven unit with silent and smooth operation that is automatically adapted to the passing speed of users.



BAR ONE TURNSTILES

Our new product line of BAR ONE is a unique waist-height turnstile range with space-saving, compact and modern design utilizing patented Magnetic Direct Drive motor - MDD motor. Compared to the conventional tripod technology, BAR ONE turnstiles have a higher throughput. These products can be extended with a broad variety of optional accessories.

MDD motor does not utilize a standard mechanical gearbox but provides exceptional reliability and maintenance-free operation and inherent resistance to the effects of dust and humidity.

BAR ONE was designed with respects to features, aesthetics and reliability while cost of ownership has been lowered without making compromises.

C O N T E N T S

| | | | |
|----|----------------|----|------------------------|
| 5 | BAR ONE Unipod | 13 | BAR ST-DUO |
| 6 | BAR ONE Tripod | 14 | BAR SKR |
| 7 | BAR ONE Gate | 15 | BAR SKR-DropArm |
| 8 | BAR BA | 16 | BAR WN |
| 9 | BAR EC | 17 | BAR GX |
| 10 | BAR EK | 18 | Specification Overview |
| 11 | BAR EK-Wall | 20 | Options & Accessories |
| 12 | BAR ST | | |

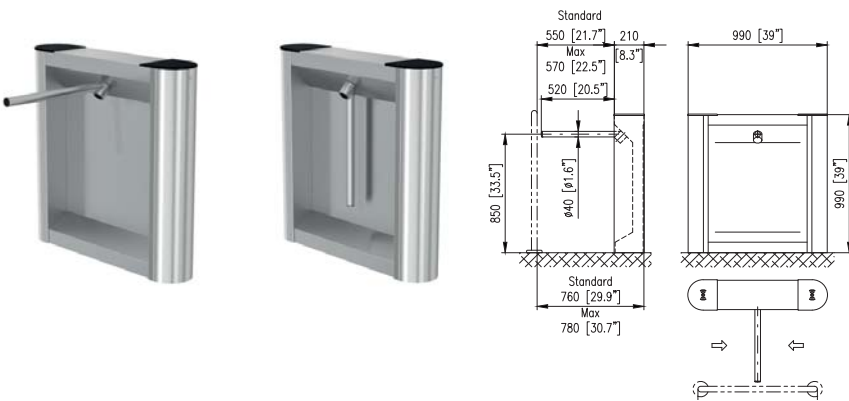


B A R O N E





> BAR ONE Unipod



DIMENSIONS

| | | |
|----------------|------------|-----------|
| Cabinet height | 990 mm | 39.0" |
| Cabinet length | 990 mm | 39.0" |
| Cabinet width | 210 mm | 8.3" |
| Passage width | max 570 mm | max 22.5" |

MATERIAL AND COLORS

| | |
|----------------|---|
| Cabinet | Brushed stainless steel |
| Top Lid | Brushed stainless steel with plastic ends |
| Barrier | Single arm / Brushed stainless steel |

OPERATING ENVIRONMENT

| |
|----------------------------------|
| Outdoor * |
| Indoor |
| -25°C to +60°C / -13° to 140°F * |

DRIVE MECHANISM

Advanced Magnetic Direct Drive motor (MDD motor)

OPTIONAL ACCESSORIES

- RFID reader bracket (top / flush mounted)
- Access Light, Lane Light
- Outdoor package
- WAV player
- USB converter / Ethernet converter
- Infrared AntiClimb sensors
- EasyTouch / TouchPanel / T-MON sw
- SuperCap (emergency power back-up)
- Alternative surface finishes
- Optional top finishes
- Ramp LT, Arm protector

STANDARD EQUIPMENT

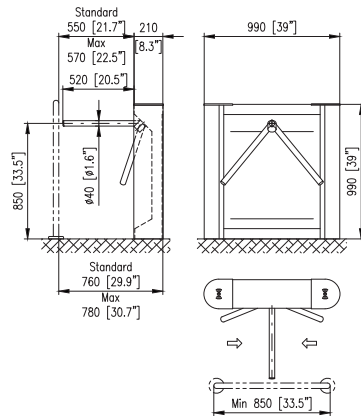
- Advanced Magnetic Direct Drive motor (MDD motor)
- Emergency folding feature
- Integrated disc spring brake
- Go Call - visual entry invitation feature
- Unobstructed passage including automatic reset

SAFETY & SECURITY DETECTION

- Tailgating
- Climb over/crawl under *
- Permanently blocked mode
- Emergency mode



> BAR ONE Tripod



DIMENSIONS

| | | |
|----------------|------------|-----------|
| Cabinet height | 990 mm | 39.0" |
| Cabinet length | 990 mm | 39.0" |
| Cabinet width | 210 mm | 8.3" |
| Passage width | max 570 mm | max 22.5" |

MATERIAL AND COLORS

| | |
|----------------|---|
| Cabinet | Brushed stainless steel |
| Top Lid | Brushed stainless steel with plastic ends |
| Barrier | Tripod arms / Brushed stainless steel |

OPERATING ENVIRONMENT

- Outdoor *
- Indoor
- 25°C to +60°C / -13° to 140°F *

DRIVE MECHANISM

Advanced Magnetic Direct Drive motor (MDD motor)

OPTIONAL ACCESSORIES

- RFID reader bracket (top / flush mounted)
- Access Light, Lane Light
- Outdoor package
- WAV player
- USB converter / Ethernet converter
- Infrared AntiClimb sensors
- EasyTouch / TouchPanel / T-MON sw
- SuperCap (emergency power back-up)
- Alternative surface finishes
- Optional top finishes
- Ramp LT, Arm protector

STANDARD EQUIPMENT

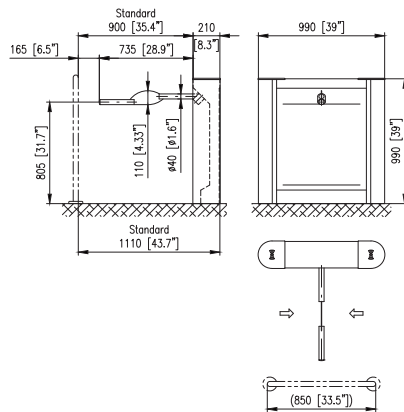
- Advanced Magnetic Direct Drive motor (MDD motor)
- Integrated disc spring brake
- Go Call - visual entry invitation feature
- Unobstructed passage including automatic reset

SAFETY & SECURITY DETECTION

- Tailgating
- Climb over/crawl under *
- Permanently blocked mode
- Emergency mode



> BAR ONE Gate



DIMENSIONS

| | | |
|----------------|--------|-------|
| Cabinet height | 990 mm | 39.0" |
| Cabinet length | 990 mm | 39.0" |
| Cabinet width | 210 mm | 8.3" |
| Passage width | 900 mm | 35.4" |

MATERIAL AND COLORS

| | |
|----------------|---|
| Cabinet | Brushed stainless steel |
| Top Lid | Brushed stainless steel with plastic ends |
| Barrier | Single arm / Brushed stainless steel |

OPERATING ENVIRONMENT

Outdoor *

Indoor

-25°C to +60°C / -13° to 140°F *

DRIVE MECHANISM

Advanced Magnetic Direct Drive motor (MDD motor)

OPTIONAL ACCESSORIES

RFID reader bracket (top / flush mounted)

Access Light, Lane Light

Outdoor package

WAV player

USB converter / Ethernet converter

Infrared AntiClimb sensors

EasyTouch / TouchPanel / T-MON sw

SuperCap (emergency power back-up)

Alternative surface finishes

Optional top finishes

Ramp LT

STANDARD EQUIPMENT

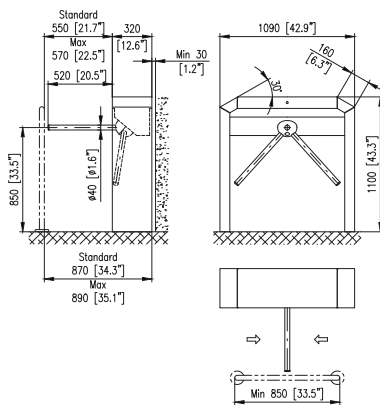
- Advanced Magnetic Direct Drive motor (MDD motor)
- Emergency folding feature
- Integrated disc spring brake
- Go Call - visual entry invitation feature
- Unobstructed passage including automatic reset

SAFETY & SECURITY DETECTION

- Tailgating
- Climb over/crawl under *
- Permanently blocked mode
- Emergency mode



> BAR BA



DIMENSIONS

| | | |
|----------------|------------|-----------|
| Cabinet height | 1100 mm | 43.3" |
| Cabinet length | 1090 mm | 42.9" |
| Cabinet width | 320 mm | 12.6" |
| Passage width | max 570 mm | max 22.5" |

MATERIAL AND COLORS

| | |
|----------------|---------------------------------------|
| Cabinet | Brushed stainless steel |
| Top Lid | Brushed stainless steel |
| Barrier | Tripod arms / Brushed stainless steel |

OPERATING ENVIRONMENT

- Outdoor *
- Indoor
- 25°C to +60°C / -13° to 140°F *

DRIVE MECHANISM

- Fail-Lock
- Fail-Safe

OPTIONAL ACCESSORIES

- RFID reader bracket (top / flush mounted)
- Emergency Drop Arm
- Access Light, Lane Light
- Outdoor package
- WAV player
- USB convertor / Ethernet convertor
- Infrared AntiClimb sensors
- EasyTouch / TouchPanel / T-MON sw
- Visitor card collector
- SuperCap (emergency power back-up)
- Alternative surface finishes
- Ramp LT, Arm protector

STANDARD EQUIPMENT

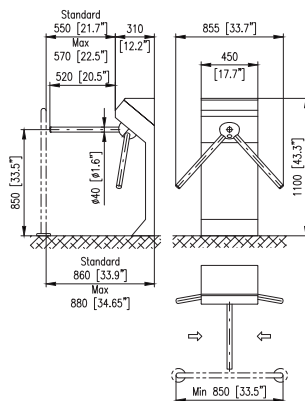
- Go Call - visual entry invitation feature
- Bi-directional passage

SAFETY & SECURITY DETECTION

- Tailgating
- Climb over/crawl under *
- Permanently blocked mode
- Emergency Drop Arm *



> BAR EC



DIMENSIONS

| | | |
|----------------|------------|-----------|
| Cabinet height | 1100 mm | 43.3" |
| Cabinet length | 450 mm | 17.7" |
| Cabinet width | 310 mm | 12.2" |
| Passage width | max 570 mm | max 22.5" |

MATERIAL AND COLORS

| | |
|----------------|---------------------------------------|
| Cabinet | Painted Polyester Powder Coated |
| Top Lid | Painted Polyester Powder Coated |
| Barrier | Tripod arms / Brushed stainless steel |

OPERATING ENVIRONMENT

- Outdoor with roof protection *
- Indoor
- 25°C to +60°C / -13° to 140°F *

DRIVE MECHANISM

- Fail-Lock
- Fail-Safe

OPTIONAL ACCESSORIES

- RFID reader bracket (top / flush mounted)
- Emergency Drop Arm
- Lane Light
- Outdoor package
- WAV player
- USB convertor / Ethernet convertor
- Infrared AntiClimb sensors
- EasyTouch / TouchPanel / T-MON sw
- SuperCap (emergency power back-up)
- Alternative surface finishes
- Ramp LT, Arm protector

STANDARD EQUIPMENT

- Go Call - visual entry invitation feature
- Bi-directional passage

SAFETY & SECURITY DETECTION

- Tailgating
- Climb over/crawl under *
- Permanently blocked mode
- Emergency Drop Arm *



> BAR EK

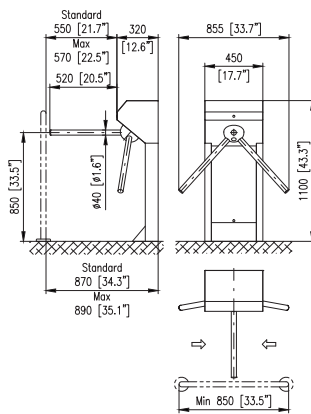


STANDARD EQUIPMENT

- Go Call - visual entry invitation feature
- Bi-directional passage

SAFETY & SECURITY DETECTION

- Tailgating
- Climb over/crawl under *
- Permanently blocked mode
- Emergency Drop Arm *



DIMENSIONS

| | | |
|----------------|------------|-----------|
| Cabinet height | 1100 mm | 43.3" |
| Cabinet length | 450 mm | 17.7" |
| Cabinet width | 320 mm | 12.6" |
| Passage width | max 570 mm | max 22.5" |

MATERIAL AND COLORS

| | |
|----------------|---------------------------------------|
| Cabinet | Brushed stainless steel |
| Top Lid | Brushed stainless steel |
| Barrier | Tripod arms / Brushed stainless steel |

OPERATING ENVIRONMENT

Outdoor with roof protection *
 Indoor
 -25°C to +60°C / -13°F to 140°F *

DRIVE MECHANISM

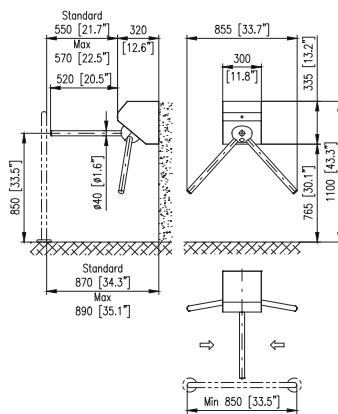
Fail-Lock
 Fail-Safe

OPTIONAL ACCESSORIES

RFID reader bracket (top / flush mounted)
 Emergency Drop Arm
 Lane Light
 Outdoor package
 WAV player
 USB convertor / Ethernet convertor
 Infrared AntiClimb sensors
 EasyTouch / TouchPanel / T-MON sw
 SuperCap (emergency power back-up)
 Alternative surface finishes
 Ramp LT, Arm protector



> BAR EK-Wall



DIMENSIONS

| | | |
|----------------|------------|-----------|
| Cabinet height | 335 mm | 13.2" |
| Cabinet length | 300 mm | 11.8" |
| Cabinet width | 320 mm | 12.6" |
| Passage width | max 570 mm | max 22.5" |

MATERIAL AND COLORS

| | |
|----------------|---------------------------------------|
| Cabinet | Brushed stainless steel |
| Top Lid | Brushed stainless steel |
| Barrier | Tripod arms / Brushed stainless steel |

OPERATING ENVIRONMENT

- Outdoor with roof protection *
- Indoor
- 25°C to +60°C / -13° to 140°F *

DRIVE MECHANISM

- Fail-Lock
- Fail-Safe

OPTIONAL ACCESSORIES

- RFID reader bracket (top / flush mounted)
- Emergency Drop Arm
- Lane Light
- Outdoor package
- WAV player
- USB convertor / Ethernet convertor
- Infrared AntiClimb sensors
- EasyTouch / TouchPanel / T-MON sw
- SuperCap (emergency power back-up)
- Alternative surface finishes
- Ramp LT, Arm protector

STANDARD EQUIPMENT

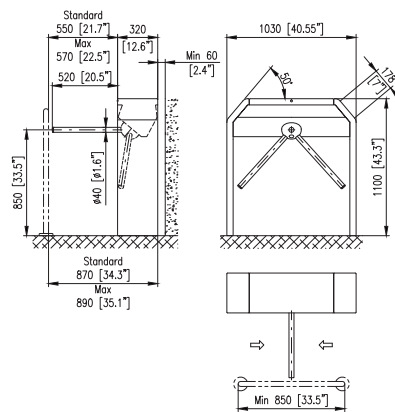
- Go Call - visual entry invitation feature
- Bi-directional passage

SAFETY & SECURITY DETECTION

- Tailgating
- Climb over/crawl under *
- Permanently blocked mode
- Emergency Drop Arm *



> BAR ST



STANDARD EQUIPMENT

- Go Call - visual entry invitation feature
- Bi-directional passage

SAFETY & SECURITY DETECTION

- Tailgating
- Climb over/crawl under *
- Permanently blocked mode
- Emergency Drop Arm *

DIMENSIONS

| | | |
|----------------|------------|-----------|
| Cabinet height | 1100 mm | 43.3" |
| Cabinet length | 1030 mm | 40.55" |
| Cabinet width | 320 mm | 12.6" |
| Passage width | max 570 mm | max 22.5" |

MATERIAL AND COLORS

| | |
|----------------|---------------------------------------|
| Cabinet | Painted Polyester Powder Coated |
| Top Lid | Painted Polyester Powder Coated |
| Barrier | Tripod arms / Brushed stainless steel |

OPERATING ENVIRONMENT

Outdoor *
Indoor
-25°C to +60°C / -13° to 140°F *

DRIVE MECHANISM

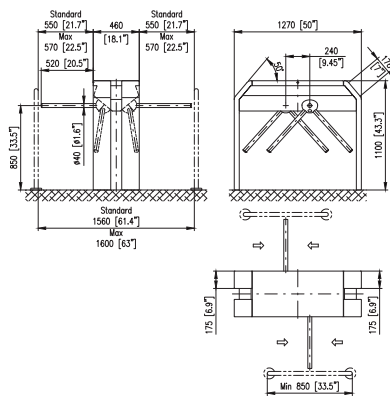
Fail-Lock
Fail-Safe

OPTIONAL ACCESSORIES

RFID reader bracket (top / flush mounted)
Emergency Drop Arm
Access Light, Lane Light
Outdoor package
WAV player
USB convertor / Ethernet convertor
Infrared AntiClimb sensors
EasyTouch / TouchPanel / T-MON sw
Visitor card collector
SuperCap (emergency power back-up)
Alternative surface finishes
Ramp LT, Arm protector



> BAR ST-DUO



DIMENSIONS

| | | |
|----------------|------------|-----------|
| Cabinet height | 1100 mm | 43.3" |
| Cabinet length | 1270 mm | 50.0" |
| Cabinet width | 460 mm | 18.1" |
| Passage width | max 570 mm | max 22.5" |

MATERIAL AND COLORS

| | |
|----------------|---------------------------------------|
| Cabinet | Painted Polyester Powder Coated |
| Top Lid | Painted Polyester Powder Coated |
| Barrier | Tripod arms / Brushed stainless steel |

OPERATING ENVIRONMENT

- Outdoor *
- Indoor
- 25°C to +60°C / -13° to 140°F *

DRIVE MECHANISM

- Fail-Lock
- Fail-Safe

OPTIONAL ACCESSORIES

- RFID reader bracket (top / flush mounted)
- Emergency Drop Arm
- Access Light, Lane Light
- Outdoor package
- WAV player
- USB convertor / Ethernet convertor
- Infrared AntiClimb sensors
- EasyTouch / TouchPanel / T-MON sw
- Visitor card collector
- SuperCap (emergency power back-up)
- Alternative surface finishes
- Ramp LT, Arm protector

STANDARD EQUIPMENT

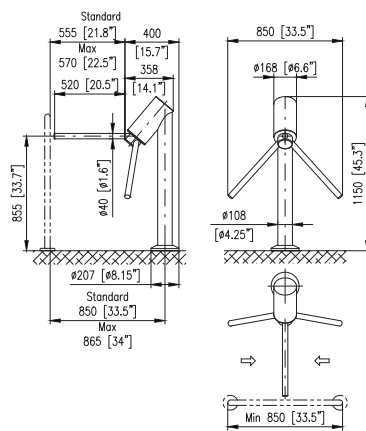
- Go Call - visual entry invitation feature
- Bi-directional passage

SAFETY & SECURITY DETECTION

- Tailgating
- Climb over/crawl under *
- Permanently blocked mode
- Emergency Drop Arm *



> BAR SKR



DIMENSIONS

| | | |
|----------------|------------|-----------|
| Cabinet height | 1150 mm | 45.3" |
| Cabinet length | 168 mm | 6.6" |
| Cabinet width | 358 mm | 14.1" |
| Passage width | max 570 mm | max 22.5" |

MATERIAL AND COLORS

| | |
|----------------|---------------------------------------|
| Cabinet | Brushed stainless steel |
| Top Lid | Brushed stainless steel |
| Barrier | Tripod arms / Brushed stainless steel |

OPERATING ENVIRONMENT

Outdoor *
 Indoor
 -25°C to +60°C / -13° to 140°F *

DRIVE MECHANISM

Fail-Lock
 Fail-Safe

OPTIONAL ACCESSORIES

RFID reader bracket (top mounted)
 Outdoor package
 WAV player
 USB converter / Ethernet converter
 EasyTouch / TouchPanel / T-MON sw
 SuperCap (emergency power back-up)
 Alternative surface finishes
 Ramp LT, Arm protector

STANDARD EQUIPMENT

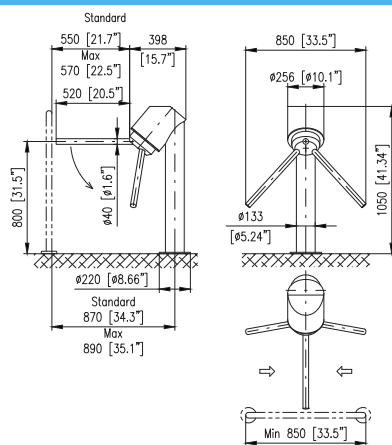
- Go Call - visual entry invitation feature
- Bi-directional passage

SAFETY & SECURITY DETECTION

- Tailgating
- Permanently blocked mode
- Emergency mode



> BAR SKR-DropArm



DIMENSIONS

| | | |
|----------------|------------|-----------|
| Cabinet height | 1050 mm | 41.3" |
| Cabinet length | 256 mm | 10.1" |
| Cabinet width | 398 mm | 15.7" |
| Passage width | max 570 mm | max 22.5" |

MATERIAL AND COLORS

| | |
|----------------|---------------------------------------|
| Cabinet | Brushed stainless steel |
| Top Lid | Brushed stainless steel |
| Barrier | Tripod arms / Brushed stainless steel |

OPERATING ENVIRONMENT

Outdoor *
 Indoor
 -25°C to +60°C / -13° to 140°F *

DRIVE MECHANISM

Fail-Lock
 Fail-Safe

OPTIONAL ACCESSORIES

RFID reader bracket (top / flush mounted)
 Outdoor package
 WAV player
 USB converter / Ethernet converter
 EasyTouch / TouchPanel / T-MON sw
 SuperCap (emergency power back-up)
 Alternative surface finishes
 Ramp LT, Arm protector

STANDARD EQUIPMENT

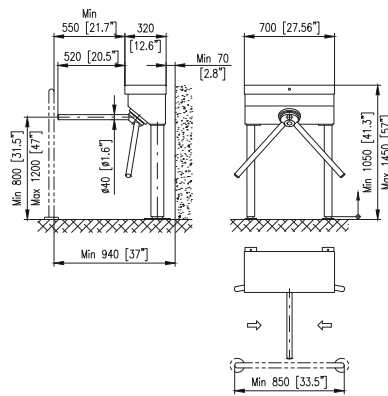
- Go Call - visual entry invitation feature
- Emergency Drop Arm
- Bi-directional passage

SAFETY & SECURITY DETECTION

- Tailgating
- Permanently blocked mode
- Emergency mode



> BAR WN



DIMENSIONS

| | | |
|----------------|------------|-----------|
| Cabinet height | 1050 mm | 41.3" |
| Cabinet length | 700 mm | 27.5" |
| Cabinet width | 320 mm | 12.6" |
| Passage width | max 570 mm | max 22.5" |

MATERIAL AND COLORS

| | |
|----------------|---------------------------------------|
| Cabinet | Painted Polyester Powder Coated |
| Top Lid | Painted Polyester Powder Coated |
| Barrier | Tripod arms / Brushed stainless steel |

OPERATING ENVIRONMENT

Outdoor
 Indoor
 -25°C to +60°C / -13° to 140°F

DRIVE MECHANISM

Fail-Lock
 Fail-Safe

OPTIONAL ACCESSORIES

RFID reader bracket (top / flush mounted)
 WAV player
 USB converter / Ethernet converter
 EasyTouch / TouchPanel / T-MON sw
 SuperCap (emergency power back-up)
 Alternative surface finishes
 Ramp LT, Arm protector

STANDARD EQUIPMENT

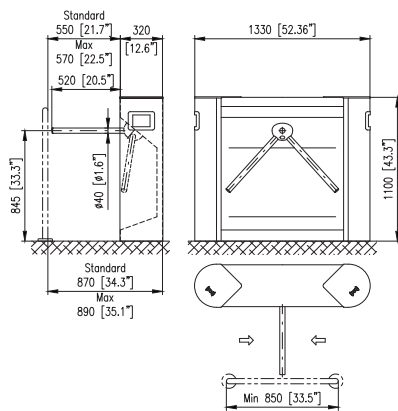
- Go Call - visual entry invitation feature
- Bi-directional passage
- Outdoor package

SAFETY & SECURITY DETECTION

- Tailgating
- Permanently blocked mode
- Emergency mode



> BAR GX



DIMENSIONS

| | | |
|----------------|------------|-----------|
| Cabinet height | 1100 mm | 43.3" |
| Cabinet length | 1330 mm | 52.36" |
| Cabinet width | 320 mm | 12.6" |
| Passage width | max 570 mm | max 22.5" |

MATERIAL AND COLORS

| | |
|----------------|---|
| Cabinet | Brushed stainless steel |
| Top Lid | Brushed stainless steel with glass ends |
| Barrier | Tripod arms / Brushed stainless steel |

OPERATING ENVIRONMENT

Indoor
 -25°C to +60°C / -13° to 140°F *

DRIVE MECHANISM

Fail-Lock
 Fail-Safe

OPTIONAL ACCESSORIES





RFID reader bracket (top / flush mounted)
 Emergency Drop Arm
 Access Light, Lane Light
 Outdoor package
 WAV player
 USB convertor / Ethernet convertor
 Infrared AntiClimb sensors
 EasyTouch / TouchPanel / T-MON sw
 Visitor card collector
 SuperCap (emergency power back-up)
 Alternative surface finishes
 Optional top finishes
 Ramp LT, Arm protector

STANDARD EQUIPMENT










- Go Call - visual entry invitation feature
- Bi-directional passage

SAFETY & SECURITY DETECTION

- Tailgating
- Climb over/crawl under *
- Permanently blocked mode
- Emergency Drop Arm *

| Turnstile model | BAR ONE Unipod | BAR ONE Tripod | BAR ONE Gate | BAR BA |
|--|---|---|---|---|
| |  |  |  |  |
| Dimensions | | | | |
| Cabinet height | 990 (39") | 990 (39") | 990 (39") | 1100 (43.3") |
| Cabinet length | 990 (39") | 990 (39") | 990 (39") | 1090 (42.9") |
| Cabinet width | 210 (8.3") | 210 (8.3") | 210 (8.3") | 320 (12.6") |
| Passage width (max) | 570 (22.5") | 570 (22.5") | 900 (35.4") | 570 (22.5") |
| Barrier type (T-Tripod, S-Single Arm) | S | T | S | T |
| ADA compliant width | - | - | • | - |
| Bi-directional passage mode | • | • | • | • |
| Material and colors | | | | |
| Stainless steel cabinet material (AISI 304) | • | • | • | • |
| RAL Painted cabinet | - | - | - | - |
| Stainless steel barrier | • | • | • | • |
| Safety features | | | | |
| Emergency mode / Emergency Drop Arm [1] | • / • | • / - | • / • | • / • |
| Crawl under [1] / Climb over - detection [1] | • / • | • / • | • / • | • / • |
| Fail-Safe motor drive unit [2] | - | - | - | • |
| Advanced Magnetic Direct Drive motor (MDD motor) | • | • | • | - |
| Communication interface | | | | |
| Relay Inputs / Outputs | • [1] | • [1] | • [1] | • |
| RS485 / USB / Ethernet | • / • / • [1] | • / • / • [1] | • / • / • [1] | • / • / • |
| Operating environment | | | | |
| Indoor / Outdoor with cover* / Outdoor uncovered* | • / • / • | • / • / • | • / • / • | • / • / • |
| Optional features | | | | |
| Integrated proximity reader flush mounting (for any type of proximity card reader) | • | • | • | • |
| Access Light - "User-friendly" illuminated card read area guide (positioned directly over card reader) | • | • | • | • |
| LED Lane Light | • | • | • | • |
| Optional remote control systems | | | | |
| External implementation of Identification or Ticket terminals | • | • | • | • |
| Remote control console (EasyTouch, TouchPanel) | • | • | • | • |
| TMON SW application (remote control from any PC) / Passage Scheduler (automatic planner) | • / • | • / • | • / • | • / • |
| Integrated Visitor Card collector | - | - | - | • |
| Optional power supply input | | | | |
| 24V DC / 24V AC / 230V AC (50Hz) or 115V AC (60Hz) | • / • / • | • / • / • | • / • / • | • / • / • |
| SuperCap (emergency power back-up) | • | • | • | • |
| Optional finishes | | | | |
| Tops - Natural Stone, Mfg Solid Surfaces, Glass, Woods, etc. | • | • | • | - |
| Custom cabinet & top finishes - Blackened Stainless Steel, Brass, Bronze, Copper, RAL color, etc. | • | • | • | • |
| Optional mounting accessories | | | | |
| Ramp LT - Structural Mounting Bases (surface mounting system - with no drilling or cutting of floor) | • | • | • | • |
| Mounting console: raised floor or recessed below grade mounting system | • | • | • | • |

[1] Optional [2] Free-to-Move unpowered *•• available * - - not available * With optional Outdoor package
[3] Emergency Drop Arm as standard [4] Outdoor as standard

| BAR EC | BAR EK | BAR EK-Wall | BAR ST | BAR ST-DUO | BAR SKR | BAR SKR-DropArm | BAR WN | BAR GX |
|--|---|---|---|---|---|---|---|---|
|  |  |  |  |  |  |  |  |  |
| 1100 (43.3") | 1100 (43.3") | 335 (13.2") | 1100 (43.3") | 1100 (43.3") | 1150 (45.3") | 1150 (45.3") | 1050 (41.3") | 1100 (43.3") |
| 450 (17.7") | 450 (17.7") | 300 (11.8") | 1030 (40.55") | 1270 (50") | 168 (6.6") | 256 (10.1") | 700 (27.5") | 1330 (52.36") |
| 310 (12.2") | 320 (12.6") | 320 (12.6") | 320 (12.6") | 460 (18.1") | 358 (14.1") | 398 (15.7") | 320 (12.6") | 320 (12.6") |
| 570 (22.5") | 570 (22.5") | 570 (22.5") | 570 (22.5") | 570 (22.5") | 570 (22.5") | 570 (22.5") | 570 (22.5") | 570 (22.5") |
| T | T | T | T | T | T | T | T | T |
| - | - | - | - | - | - | - | - | - |
| • | • | • | • | • | • | • | • | • |
| - | • | • | - | - | • | • | - | • |
| • | - | - | • | • | - | - | • | - |
| • | • | • | • | • | • | • | • | • |
| •/• | •/• | •/• | •/• | •/• | •/- | •/• [3] | •/- | •/• |
| •/• | •/• | •/• | •/• | •/• | -/- | -/- | -/- | •/• |
| • | • | • | • | • | • | • | • | • |
| - | - | - | - | - | - | - | - | - |
| • | • | • | • | • | • | • | • | • |
| •/•/• | •/•/• | •/•/• | •/•/• | •/•/• | •/•/• | •/•/• | •/•/• | •/•/• |
| •/•/- | •/•/- | •/•/- | •/•/• | •/•/• | •/•/• | •/•/• | •/•/• [4] | •/-/- |
| • | • | • | • | • | - | • | • | • |
| - | - | - | - | - | - | - | - | • |
| • | • | • | • | • | - | - | • | • |
| • | • | • | • | • | • | • | • | • |
| •/• | •/• | •/• | •/• | •/• | •/• | •/• | •/• | •/• |
| - | - | - | - | - | - | - | - | • |
| •/•/• | •/•/• | •/•/• | •/•/• | •/•/• | •/•/- | •/•/- | •/•/• | •/•/• |
| • | • | • | • | • | • | • | • | • |
| - | - | - | - | - | - | - | - | • |
| • | • | • | • | • | • | • | • | • |
| • | • | • | • | • | • | • | • | • |

> Options & Accessories



EASY::TOUCH - turnstile remote control console with an intuitive graphical user interface



TOUCH PANEL - Touch-button panel for remote control of turnstiles and gates



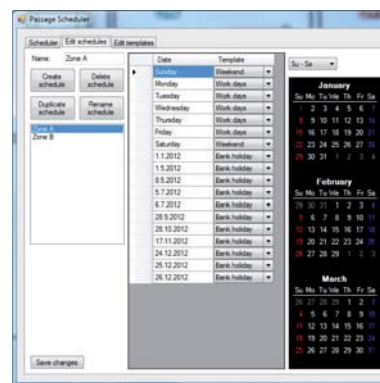
TMON SOFTWARE - software application for easy remote control of the turnstiles and gates



ACCESS LIGHT - access control light with integrated RFID bracket



LANE LIGHT - front mounted lane accessibility light panel



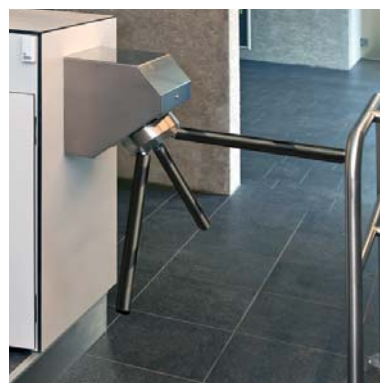
PASSAGE SCHEDULER - software planner for automatic time programming of turnstile operation mode



EMERGENCY DROP ARM - automatically drops the horizontal arm in emergency mode



ANTICLIMB SENSORS - infrared sensors to detect jumping over/crawling under the tripod (unipod) arms



ARM PROTECTOR - protector of tripod/unipod bar made of black toughened rubber material



WAV PLAYER - sound signaling device for audio confirmation of turnstile operation mode



OUTDOOR PACKAGE - special package for outdoor application (heating module + IP protection)



SUPERCAP - maintenance-free power package for Emergency opening of turnstile/gate

> Options & Accessories



EXI-R - visitor card / badge collector with return function impelmented in stainless steel pole



EXI2 - integrated visitor card collector with collection box



TICKETING TERMINAL - external implementation of identification terminals



RAMP LT - for installation on floor where drilling/cutting is not allowed



MOUNTING CONSOLE - mounting console for raised/suspended floor



ALTERNATIVE SURFACE FINISH - polished stainless steel / brushed stainless steel / etc.



ADDITIONAL GATE PEGAS GLE - alternative motorized swing gate for wheelchair access



GLASS INFILL BARRIER - convenient way to aesthetically enclose the secure areas from public area







Specifications are subject to change without prior notice.

cominfo[®]
Security First

COMINFO, a.s., Nabrezi 695, 760 01 Zlín - Prstné, Czech Republic

T +420 603 151 333

cominfo@cominfo.cz

www.cominfo.eu

